

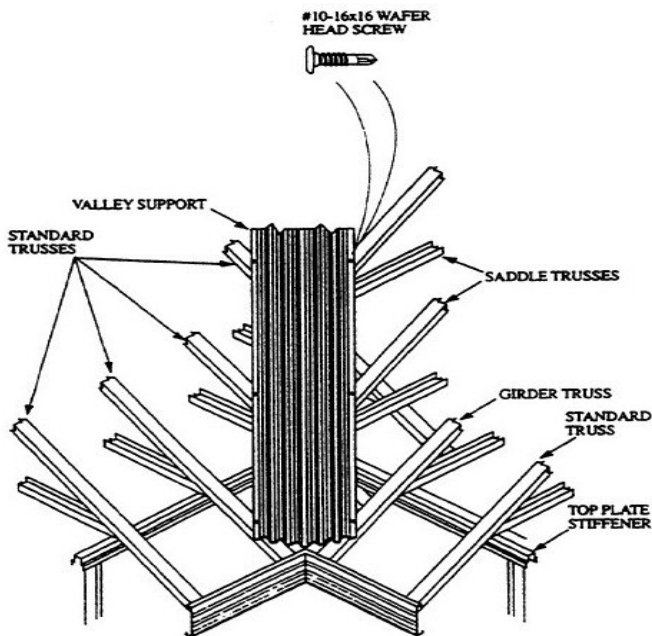
ROOF PLUMBING



VALLEY SUPPORT

Valley support allows a quick, reliable method of constructing a valley, on steel framed roofs. It provides a safe, secure platform for fixing battens during roof construction.

Fix valley support to roof trusses using #10-16 x 16 wafer screws.



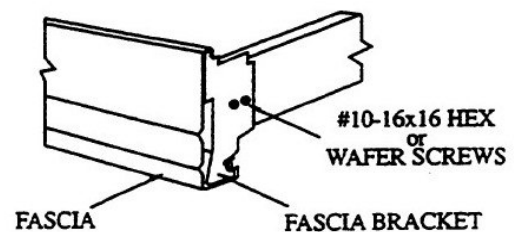
Internal Corner Showing Valley Support

FASCIA

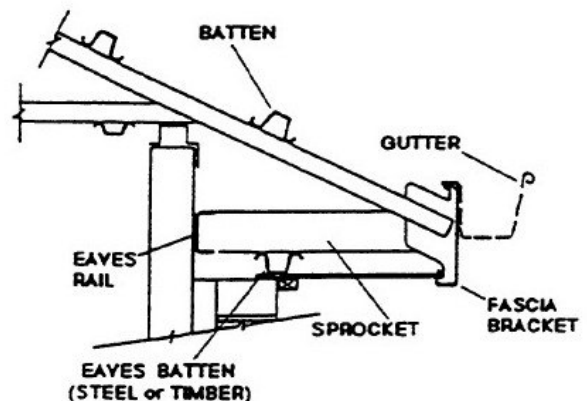
Fascia is fitted to the brackets according to the manufacturers specifications. If brackets are not pre-fixed, install two (2) #10-16 x 16 hex screws through the bracket, to the truss end or sprocket.

To ensure a straight gutter line, install the two end fascia brackets first, then extend a string line between the two end brackets and fix intermediate brackets or sprockets to the string line. On long runs, install a central bracket to prevent the string from sagging.

Install the fascia to the brackets, with the corners and joint as required.



Typical Fascia Fixing Details



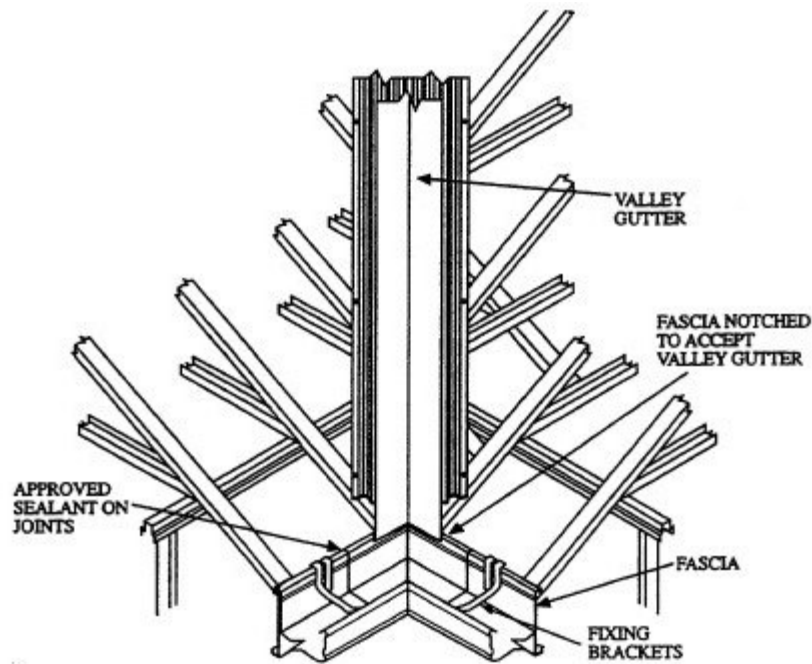
Typical Boxed Eave Components

VALLEY GUTTER

Valley gutter is placed over the valley support and fixed in the usually way. Trim the valley at the fascia and ensure that the valley gutter laps over the fascia to deposit water in the eaves gutter. Seal all joints with an approved sealant.

GUTTERING & DOWNPIPES

Install guttering and downpipes using manufacturers recommended fixing procedure.



Typical Gutter Fixing, Valley Gutter In Place.

For further information please contact:

National Association of Steel-Framed Housing Incorporated
17-19 Gladding Place, PO Box 76-134, Manukau City

Phone: (09) 262 1625
Toll free: 0800 333 225

Fax: (09) 262 2856
Email: gm@nashnz.org.nz

V1.2 28.4.06

IMPORTANT

This publication is designed to assist Qualified tradespersons in the fixing of materials to steel framed houses and is not intended for use by untrained personnel. The recommendations are a guide only. All fixing should be in accordance with manufacturers Specifications.

The information contained in this literature is correct at the time of printing. However, it is subject to change without notice.