

PLUMBING INSTALLATION

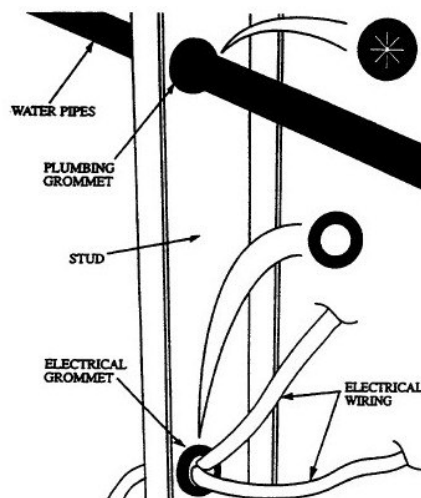


IMPORTANT

Where Copper Piping is fixed directly to steel frames, it must be insulated from the coated steel members.

WATER PIPES

Piping is installed through service holes provided in studs and wall plates. Grommets must be used in all holes through which pipes are installed. The grommets minimize water hammer and isolate the piping from the frame.



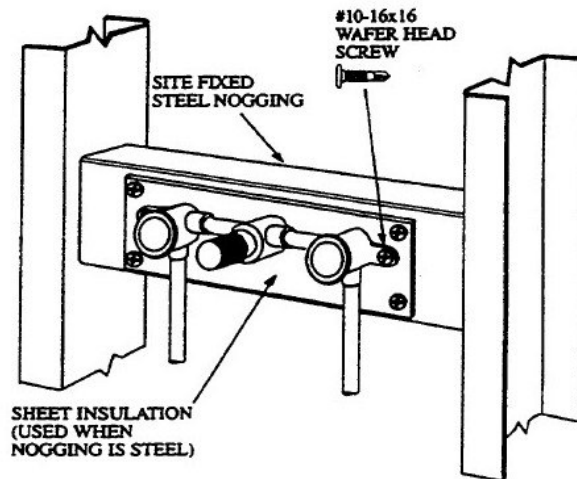
Installed Position of Plumbing Grommets

SADDLES

Nylon or nylon coated saddles are recommended for fixing copper or PVC piping.

PLUMBING FITTINGS

Plumbing fittings and associated components are fitted to steel noggings. These are fixed on site at the locations of the plumbing fixtures. Sheet insulation should be used to isolate the tap set fixed to the noggin. Fix using #10-16x16 Wafer screws.



Shower Set Fixed to Site Fixed Nogging.

FRAME MODIFICATIONS

Information relating to framing modifications for plumbing services must be obtained from the framing system fabricator.

For further information please contact:

National Association of Steel-Framed Housing Incorporated
17-19 Gladding Place, PO Box 76-134, Manukau City

Phone: (09) 262 1625
Toll free: 0800 333 225

Fax: (09) 262 2856
Email: gm@nashnz.org.nz

V1.2 28.4.06

IMPORTANT

This publication is designed to assist Qualified tradespersons in the fixing of materials to steel framed houses and is not intended for use by untrained personnel. The recommendations are a guide only. All fixing should be in accordance with manufacturers Specifications.

The information contained in this literature is correct at the time of printing. However, it is subject to change without notice.